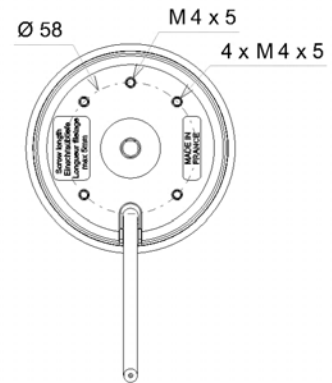
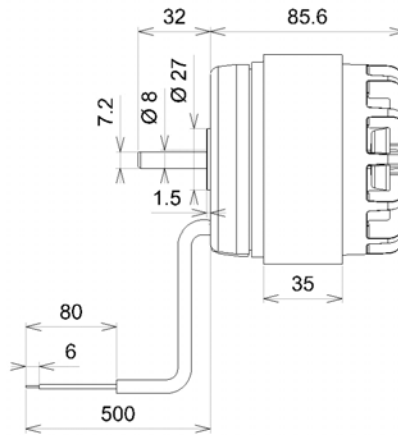
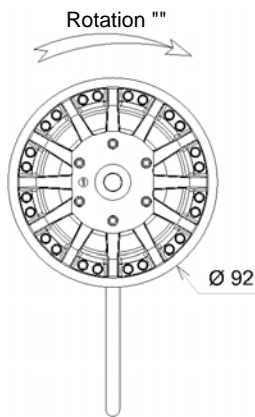


2RET35 P/N Q06-18

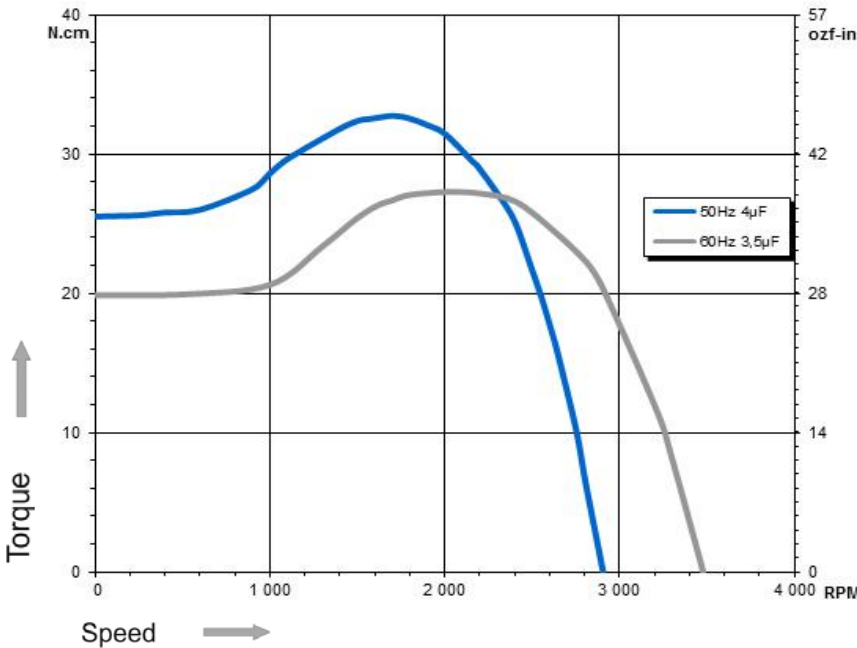
Voltage	Frequency	Input power	Current	Capacitor	Torque	Speed rotation	Output power	Rotation direction	Operating temperature	ErP 2013	ErP 2015
V	Hz	Wa	A	µF	Ncm	RPM	Wu	↻	Min / Max		
230	50	119	0,52	4,0	25	2 400	63	R	-20°C / +70°C	NA	NA
230	60	144	0,63	3,5	27	2 405	67	R	-20°C / +60°C		
230	50				35 ozf-in				-4°F / +158°F		
230	50				37 ozf-in				-4°F / +140°F		



NA : Not Applicable



Non contractual document. All specifications are subject to change without prior notice. Picture for information only.



- Weight : 2,0 Kg
- Ball bearing
- Class F, thermally protected
- IP20 Protection depending on installation and position as per EN60034-5
- G2.5 balancing
- Rotor : black paint



Capacitor for 50Hz	Capacitor for 60Hz
19019	19049

