

Modifications

VENTS TT PRO ... V – the fan with a built-in three-position speed switch. A TRIAC or autotransformer speed controller (available upon separate order) are used for smooth speed control with the speed controller connected to the maximum speed terminal.



VENTS TT PRO ... U – the fan includes a speed controller with temperature sensor that allows automatic speed (air flow) regulation as a function of the indoor temperature. The fan has a modification with a temperature sensor integrated into the air duct (**TT PRO...U**) as well as modification with an external temperature sensor (**TT PRO...Un**) fixed on the cable 4 m.



VENTS TT PRO ... P – the fan with a built-in speed controller for smooth speed control from 0 to 100 % and a power cord with a plug.



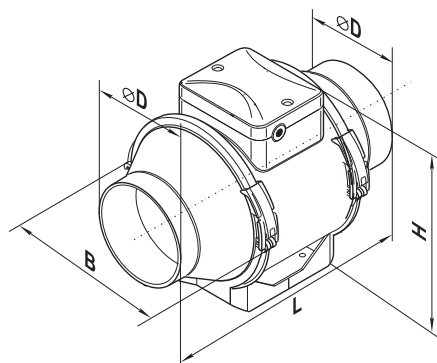
Mounting

- The fans are suitable for mounting at any angle and point of the system.
- The fan case is equipped with a mounting plate to attach the fan to the wall.
- The central case block with the junction box may be installed in any position to facilitate mounting and wiring.



Fan overall dimensions

Type	Dimensions [mm]				Weight [kg]
	Ø D	B	H	L	
TT PRO 100	97	195,8	226	302,5	1,54
TT PRO 125	123	195,6	226	258,5	1,51
TT PRO 150	148	220,1	247	289	2,1
TT PRO 160	158	220,1	247	289	2,2
TT PRO 200	199	239	261	295,5	6,4
TT PRO 250	247	287	323	383	8,3
TT PRO 315	310	362	408	445	11,4



INLINE MIXED-FLOW FANS

ENERGY EFFICIENT



INNOVATIVE



SILENT



Information in the leaflet is for reference only. VENTS reserves the right to modify any of its products' features, designs, components and specifications at any time and without notice to maintain the development and quality of manufactured goods.

05/2013



