

QUIET

FANS

Enjoy fresh air in silence!



Silent energy
efficient fans

Ø100 mm

Ø125 mm

Ø150 mm

NEW
2014



VENTS
www.ventilation-system.com

Silent fan



VENTS QUIET is an innovative bathroom extract fan with stylish design and enhanced comfort. Healthy and comfortable indoor climate due to combination of maximum performance and extremely low noise operation.

Striving to innovations!

As a worldwide ventilation leader VENTS implements a corporate strategy based on fundamental researches and effective developments in climatic industry.

Strong efforts and team work of all the corporate divisions resulted in creation of the new ventilation product, **VENTS QUIET** fan.

VENTS QUIET fan is a perfect combination of silent operation and high performance.

Stylish design

The casing and the impeller are made of durable high-quality UV-resistant plastic. The stylish design makes the fan match well with any modern interior.

Model range

100 Quiet	125 Quiet	150 Quiet	150 Quiet Extra
up to 97 m ³ /h	up to 185 m ³ /h	up to 315 m ³ /h	up to 370 m ³ /h

Modifications



Pull-cord switch



Timer



Humidity sensor



Motion sensor

Rated for **40 000 hours** service life

Motor ball bearings ensure long service life (about 40 000 hrs) and make the fan mountable at any angle. The bearings are maintenance-free and greased for their service life. Designed for non-stop operation.



High air capacity **up to 370 m³/h**

Special aerodynamic shape of the mixed flow impeller ensures high air flow and silent operation. The model **VENTS 150 Quiet** is equipped with a double-speed motor and the model **VENTS 150 Quiet Extra** is equipped with a double-speed high-power motor.

New energy efficient fan

Low energy demand from **7.5 W**

Energy demand of the **VENTS Quiet** fan is from 7.5 W due to new energy efficient motor.

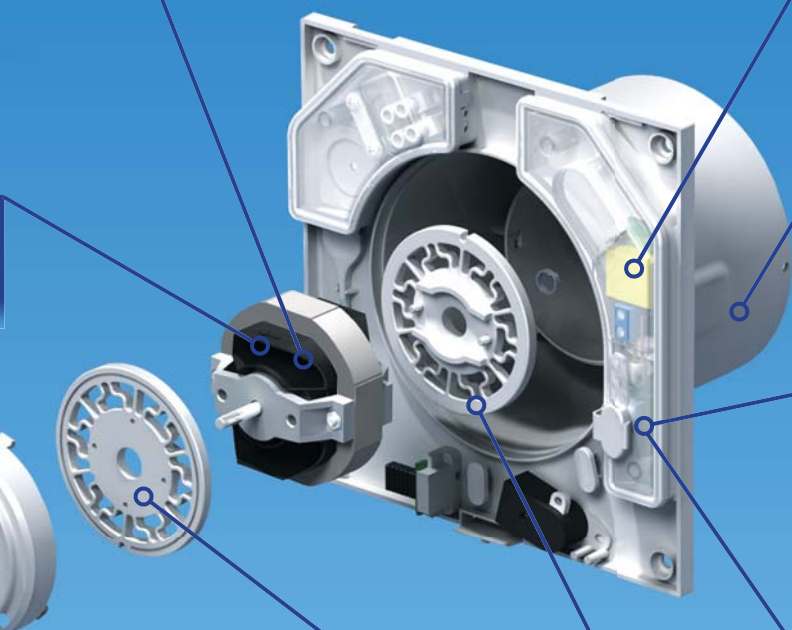
Combined with excellent air capacity that creates economical and efficient ventilation which means less power consumption and more environmental protection.

High ingress protection

High ingress protection rating against water and hazardous parts makes the VENTS QUIET fan the ideal solution for bathroom ventilation.

Compact sizes

The compact fan size enables both wall and ceiling mounting. Due to the shortened spigot the fan is suitable for installation in a ventilation shaft and for connection to Ø100, 125 and 150 mm air ducts.



Updated automation

The updated automation in the models **VENTS 150 Quiet** and **150 Quiet Extra** enables to set one of five fan operation modes. Changeover to another operation mode is easily done by setting the DIP switch to a respective position.

Low noise level from **25 dB(A)**

Rubber anti-vibration connectors are designed for vibration absorption and sound attenuation.

The specially designed air rectifiers in the fan exhaust spigot are intended for air turbulence reducing, air pressure boosting and extra sound attenuation.

The **VENTS 150 Quiet** and **VENTS 150 Quiet Extra** fans are contoured with a special rubber seal for extra vibration absorption.

Back valve

The back valve prevents air backflow and minimises heat losses during the fan standby.





Modifications

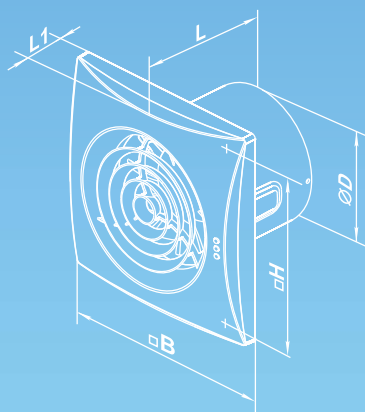
- **Quiet** – basic model
- **Quiet Extra** – high-powered motor
- **Quiet V** – equipped with a pull cord switch
- **Quiet T*** – equipped with a turn-off delay timer adjustable from 2 up to 30 minutes
- **Quiet VT*** – equipped with a pull cord switch and a turn-off delay timer adjustable from 2 up to 30 minutes
- **Quiet TP*** – equipped with a turn-off delay timer adjustable from 2 up to 30 minutes and a motion sensor with a reach distance 1-4 m and a viewing angle up to 100°
- **Quiet TH*** – equipped with a turn-off delay timer adjustable from 2 up to 30 minutes and a humidity sensor adjustable from 60% up to 90%
- **Quiet VTH*** – equipped with a pull cord, turn-off delay timer adjustable from 2 up to 30 minutes and a humidity sensor adjustable from 60% up to 90%

*QUIET 150 T/VT/TP/TH/VTH and QUIET 150 Extra T/VT/TP/TH/VTH – equipped with a turn-on delay timer adjustable from 0 up to 2 minutes

Technical data

Model	100 Quiet	125 Quiet	150 Quiet		150 Quiet Extra	
Diameter [mm]	100	125	150		150	
Speed	–	–	min	max	min	max
Voltage, 50 Hz [V]	230	230	230		230	
Power Consumption [W]	7,5	17	17	19	19	22
Current [A]	0,049	0,11	0,08	0,09	0,09	0,1
Rotation Speed [min ⁻¹]	2165	2100	1525	2060	1770	2290
Air capacity [m ³ /h]	97	185	220	315	280	370
Noise level at 3 m [dBA]	25	32	28	33	32	38
Protection rating	IP45	IP45	IP45		IP45	

Overall dimensions



Model	Dimensions, mm				
	ØD	B	H	L	L1
100 Quiet	99	158	136	107	26
125 Quiet	123,5	182	158	118	27
150 Quiet 150 Quiet Extra	148	214	190	130	32